

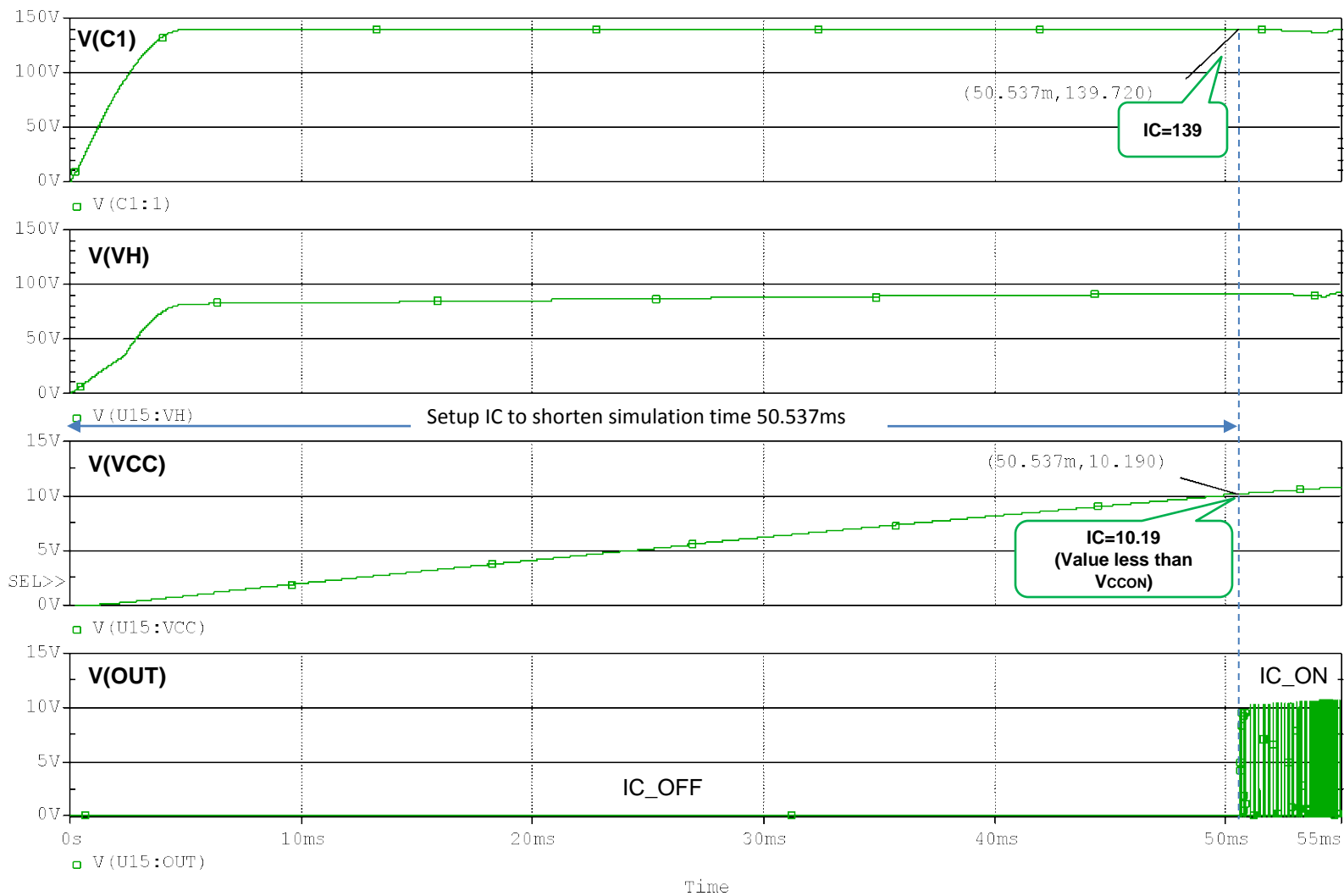
Initial condition setting for application circuit simulation

- 1) Purpose of initial condition setting
- 2) VCC startup voltage vs. initial condition (.IC) setting
- 3) Output voltage (19V) startup vs. initial condition (.IC) setting
- 4) Simulation result with all initial condition (IC) is set
- 5) Simulation circuit with all initial condition (IC) is set

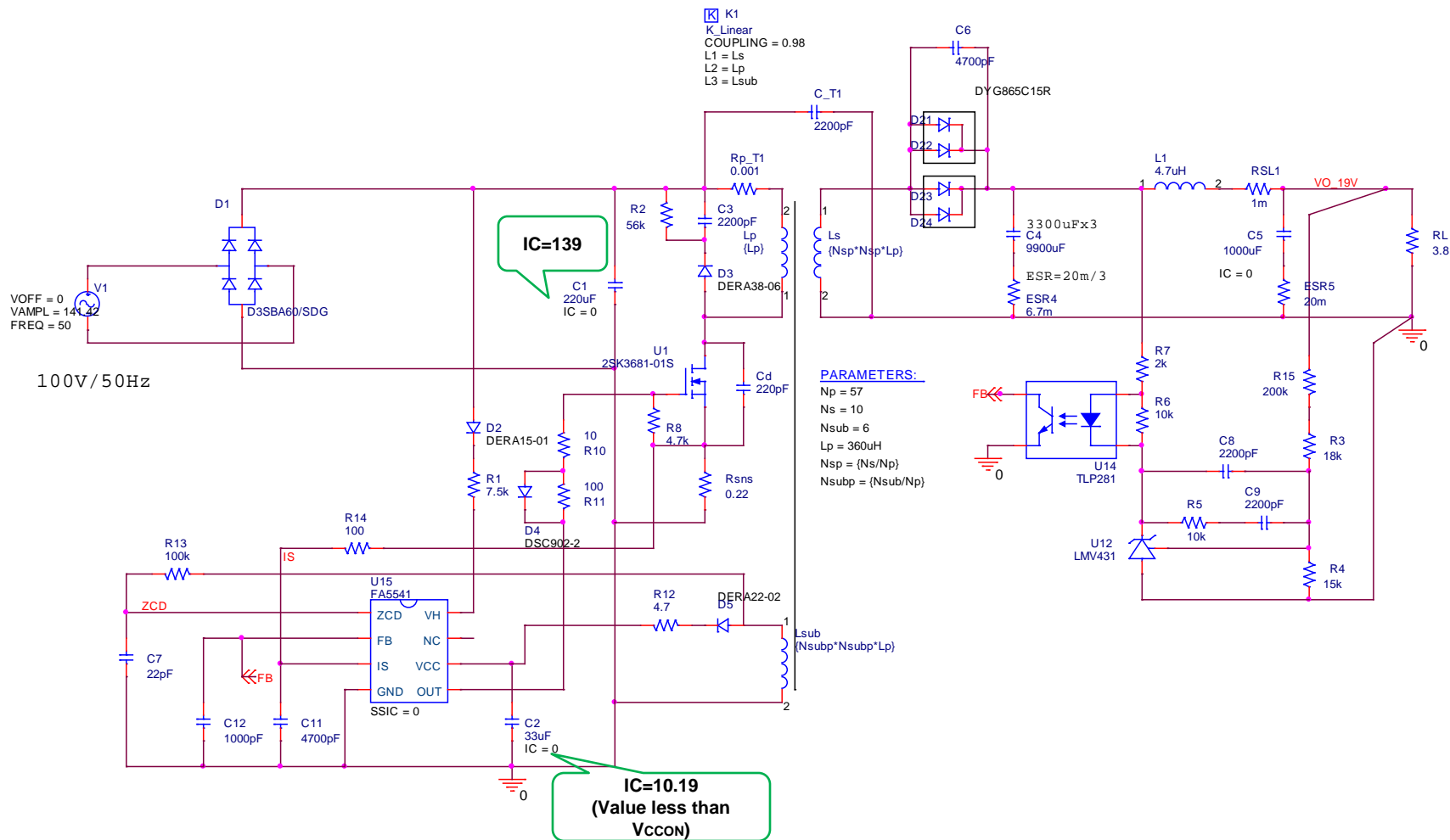
1) Purpose of initial condition setting

- Shorten simulation time
- Improve simulation convergence

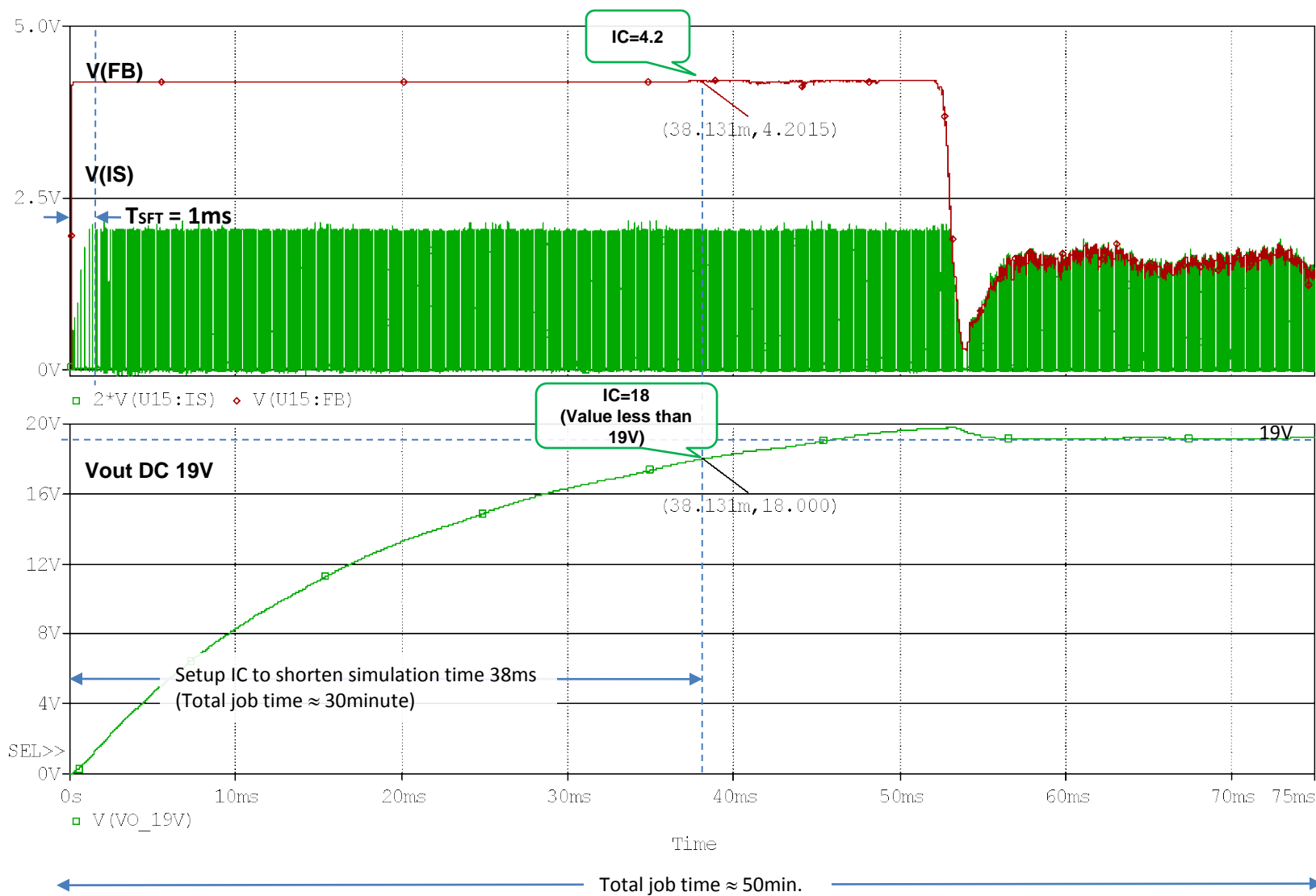
2) VCC startup voltage vs. initial condition (.IC) setting



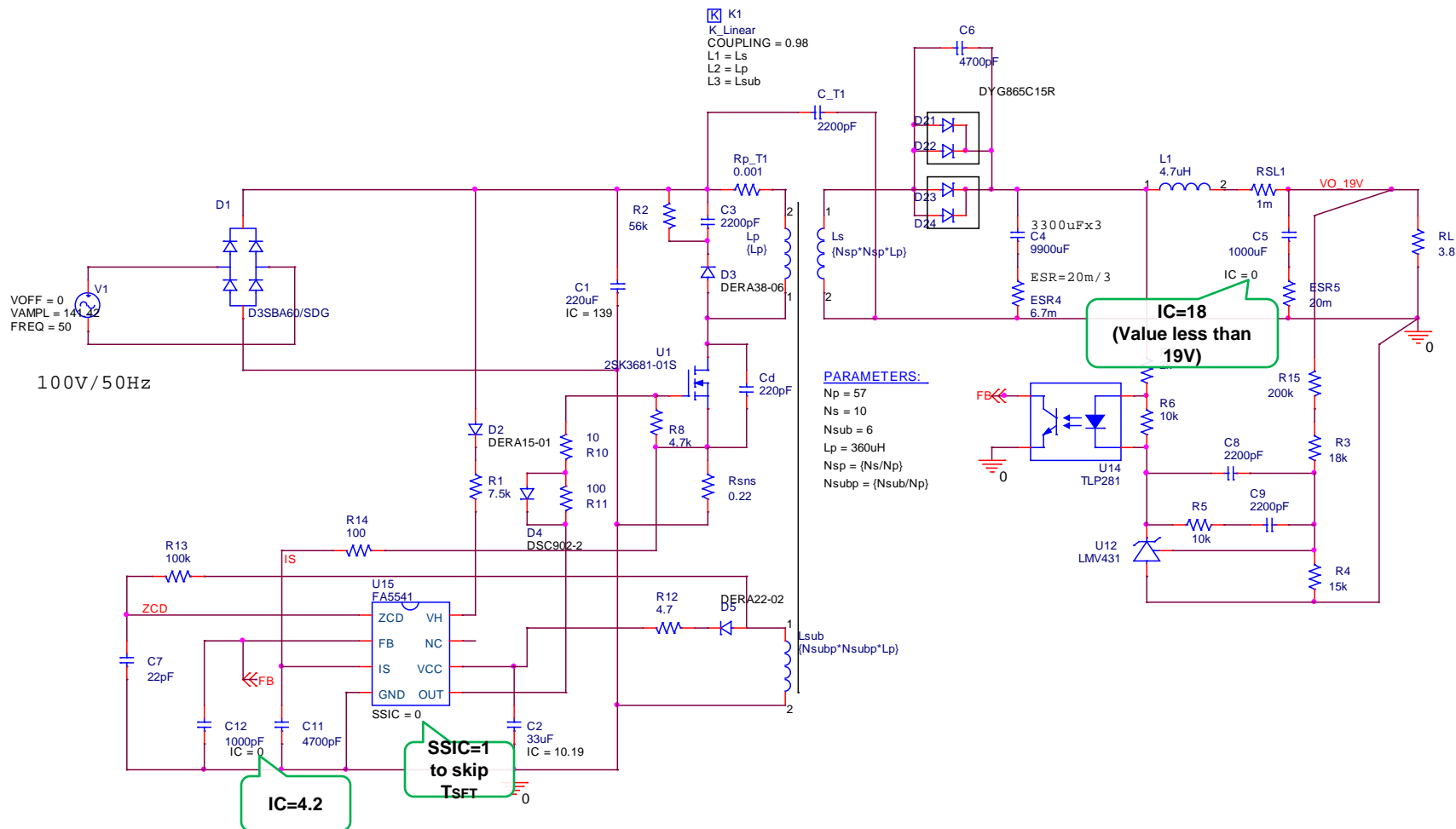
2) VCC startup voltage vs. initial condition (.IC) setting



3) Output voltage (19V) startup vs. initial condition (.IC) set (VCC startup is skipped)

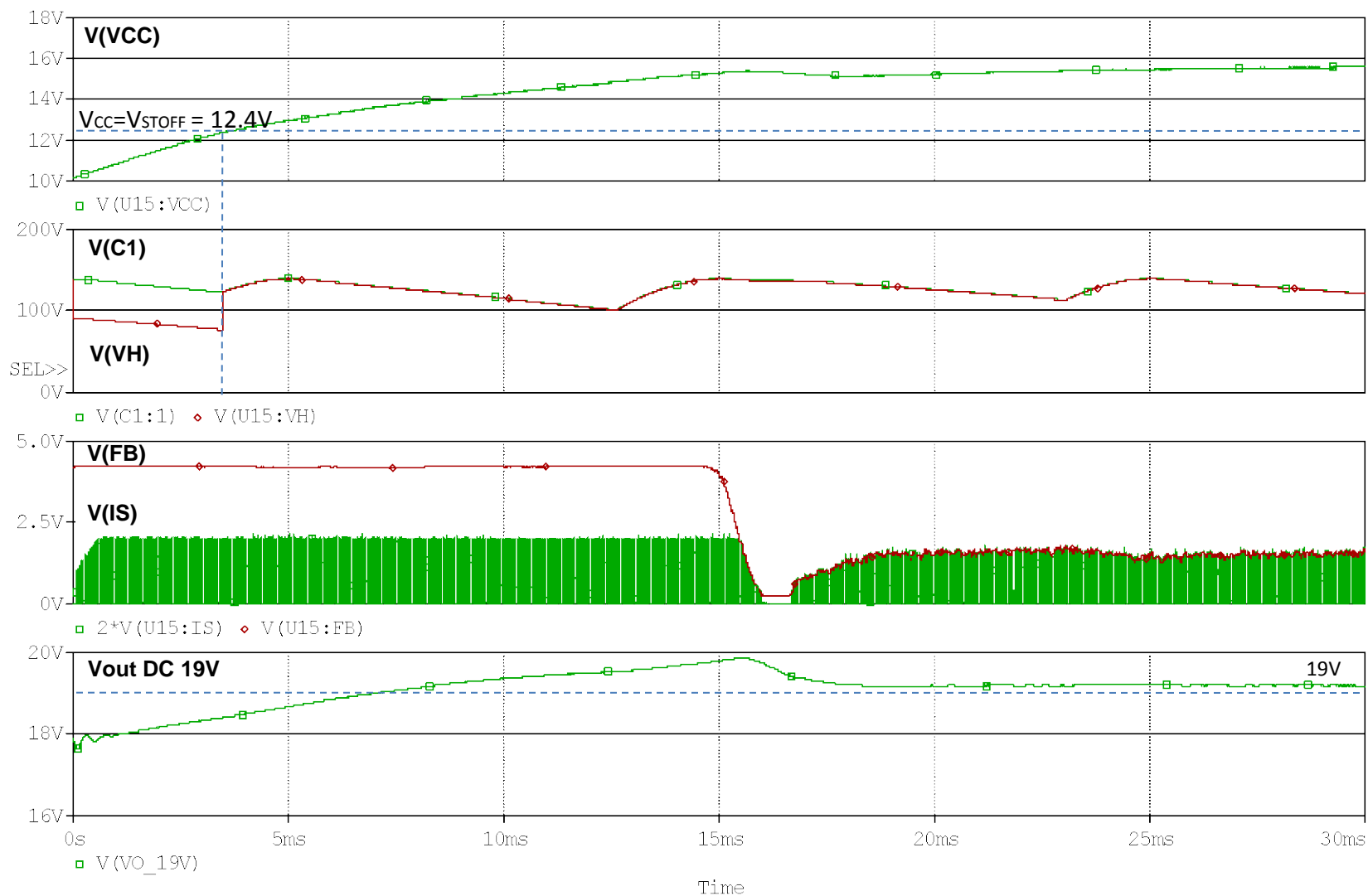


3) Output voltage (19V) startup vs. initial condition (.IC) set (VCC startup is skipped)



※ Soft start function is canceled by set SSIC=1

4) Simulation result with all initial condition (IC) is set



← Total job time = 20.3min. →

5) Simulation circuit with all initial condition (IC) is set

